

1

2

3

4

5

6

A

A

B

B

C

C

D

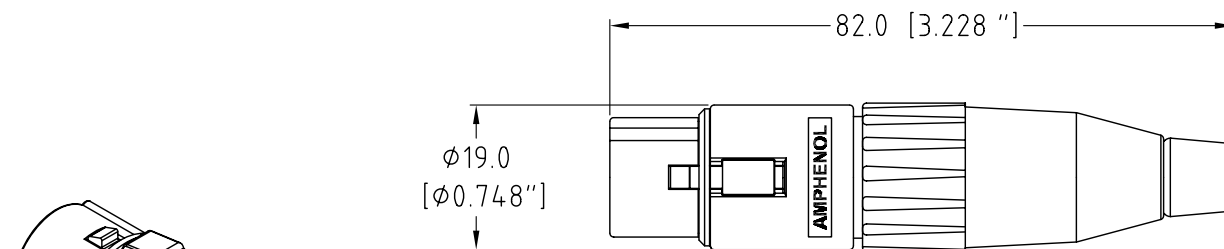
D

E

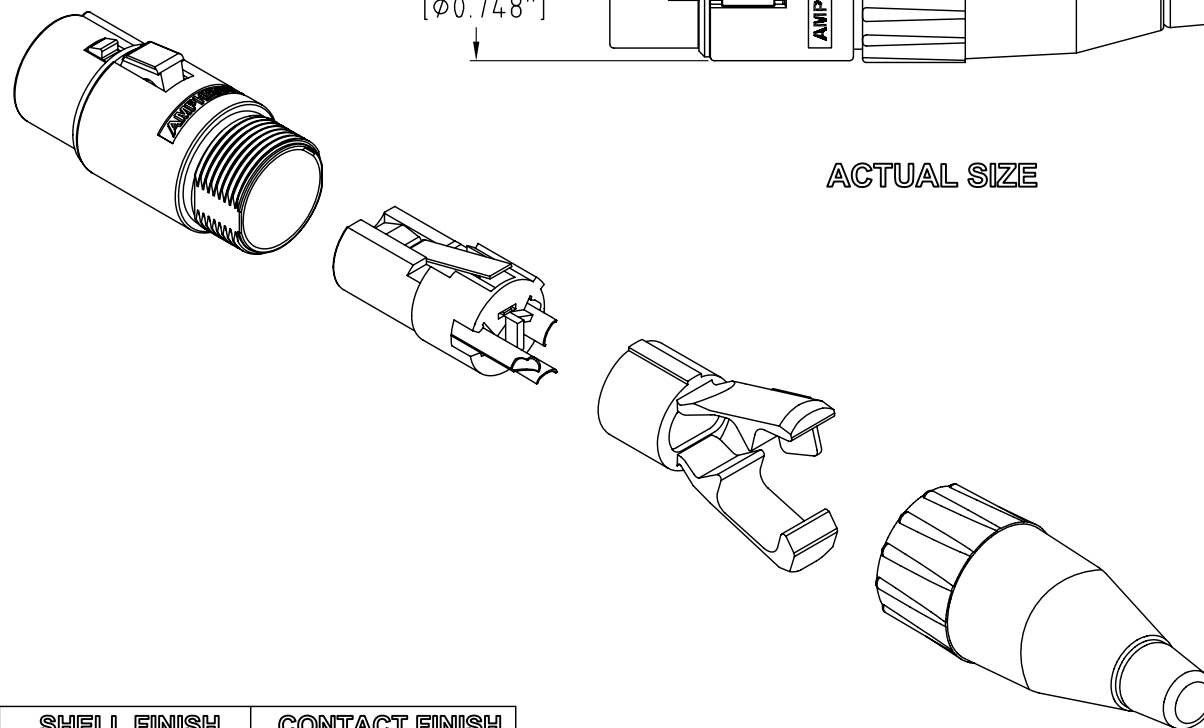
E

F

F



ACTUAL SIZE



CAT P/No.	SHELL FINISH	CONTACT FINISH
AC3F	NICKEL	TIN PLATING
AC3FJ		
AC3F-AU		GOLD PLATING
AC3FJ-AU		
AC3FB	BLACK	TIN PLATING
AC3FBJ		
AC3FB-AU		GOLD PLATING
AC3FBJ-AU		

UNLESS OTHERWISE SPECIFIED TOLERANCE TO BE		THIS DOCUMENT IS THE PROPERTY OF AMPHENOL AUSTRALIA PTY. LTD. NO PART THEREOF MAY BE REPRODUCED AND USED WITHOUT THE PRIOR WRITTEN CONSENT OF THE OWNER			0	FIRST ISSUE	L.V	01-05-06	----
LINEAR	ANGULAR	CAD FILE:	DRN:	DATE:	REV.	CHANGE DETAILS	BY	DATE	CHG/No
X ± 0.5	X° ± 1°	00848100	L.V	01-05-06					
XX ± 0.1	X°X' ± 30'	MATL: REFER TO COMPONENT	CKD: M.N.H	DATE: 01-05-06					
XXX ± 0.05	X°X'X" ± 15'	DO NOT SCALE	FINISH: REFER TO COMPONENT	APP'D: P.M					
DIMENSIONS IN MILLIMETRES		THIRD ANGLE PROJECTION		SCALE: 1:1 UOS	PART No: REFER TO CHART		SIZE: A4	128321-0000	

AC3F LINE  
CONNECTOR  
CUSTOMER DWG

**Amphenol**

Amphenol Australia Pty.Ltd, 2 Fireways Blvd, Keysborough, Vic3173

DRAWING NO. SHEET

128321-0000 2 OF 2

1

2

3

4

5

6

# Mouser Electronics

Authorized Distributor

Click to View Pricing, Inventory, Delivery & Lifecycle Information:

[Amphenol:](#)

[AC3FBJ](#) [AC3FB-AU BULK](#) [AC3FBJ BULK](#)