

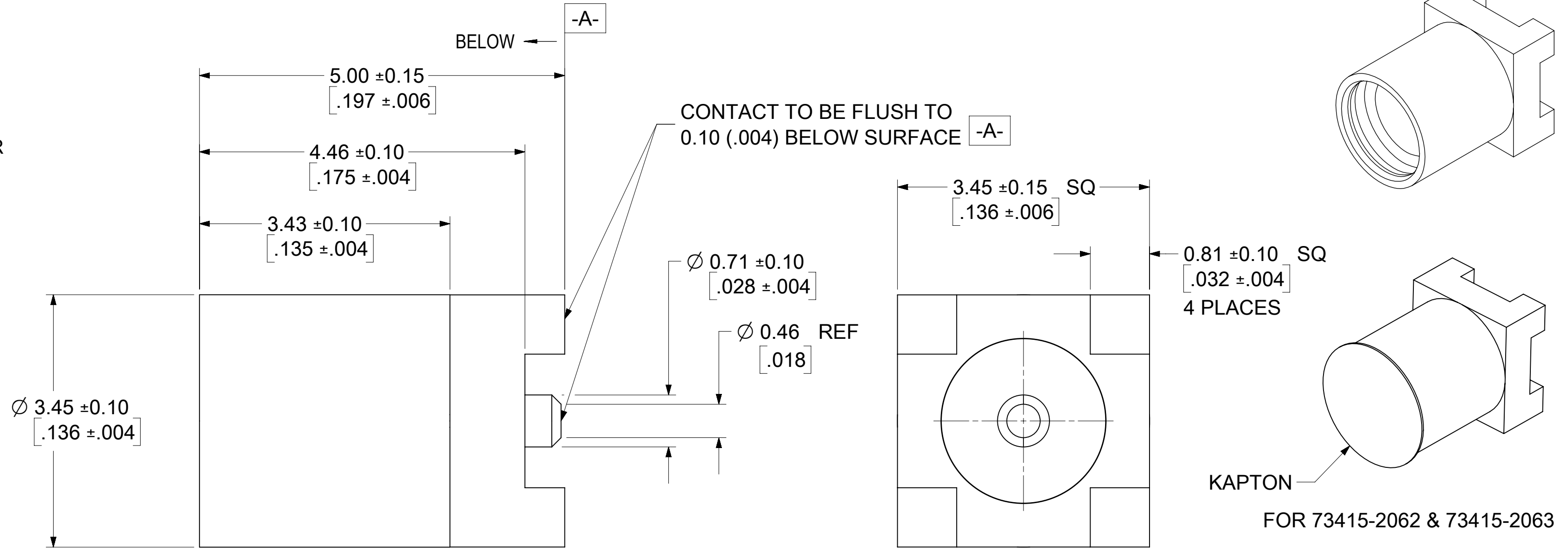
MATERIALS AND FINISHES

BODY BRASS  
PLATED GOLD

CENTER CONTACT BERYLLIUM COPPER  
PLATED GOLD

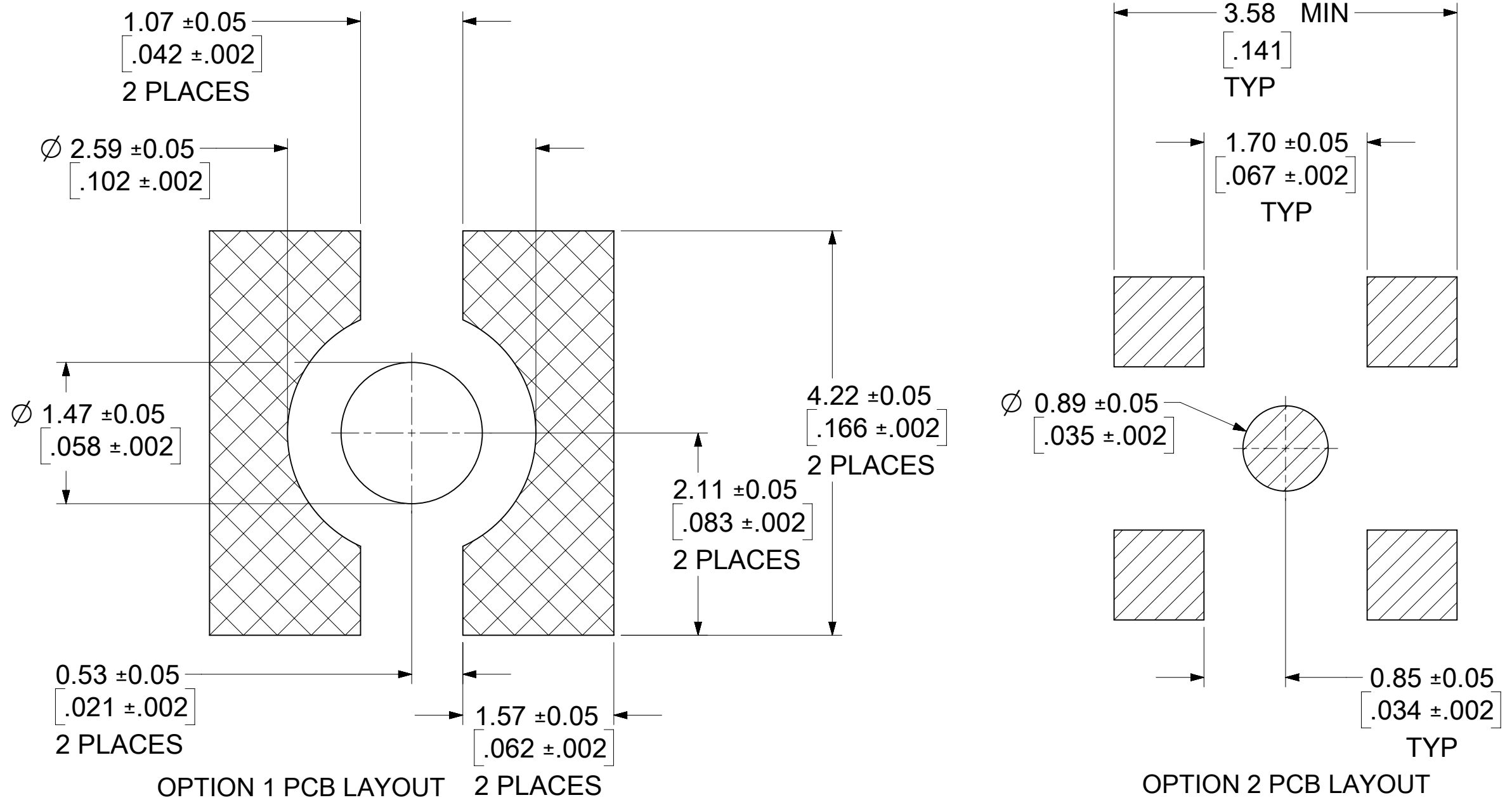
INSULATOR TEFLON

KAPTON  
COLOR AMBER

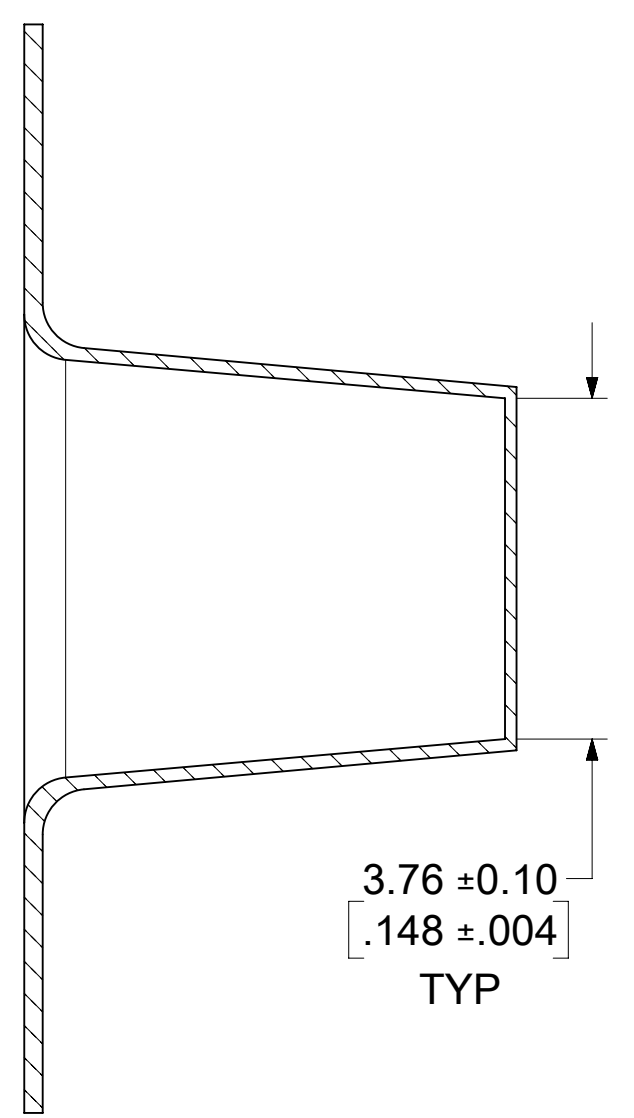
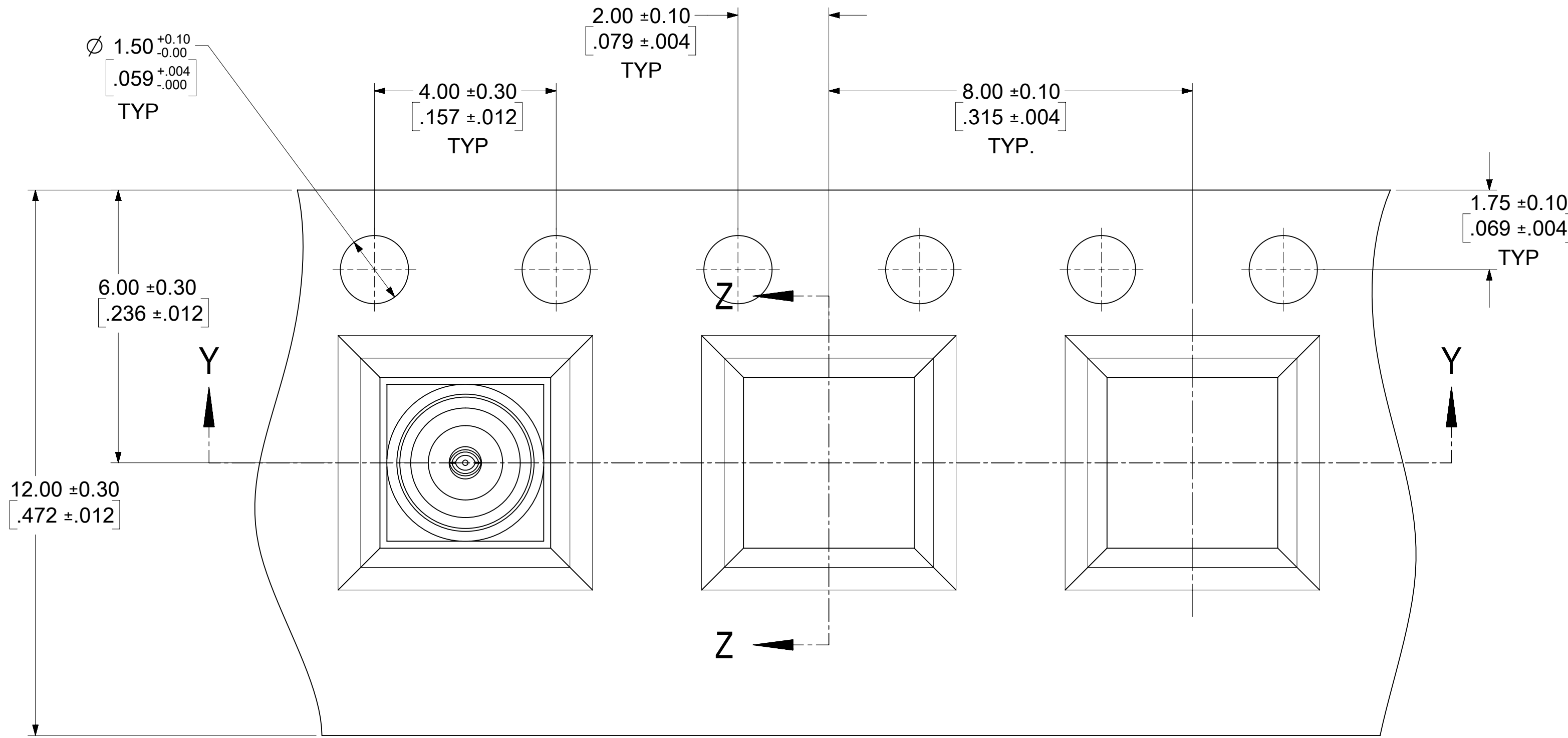


|               |                       |
|---------------|-----------------------|
| PS-89675-1920 | ELECTRO/MECH PERFORM. |
| SPECIFICATION | DESCRIPTION           |

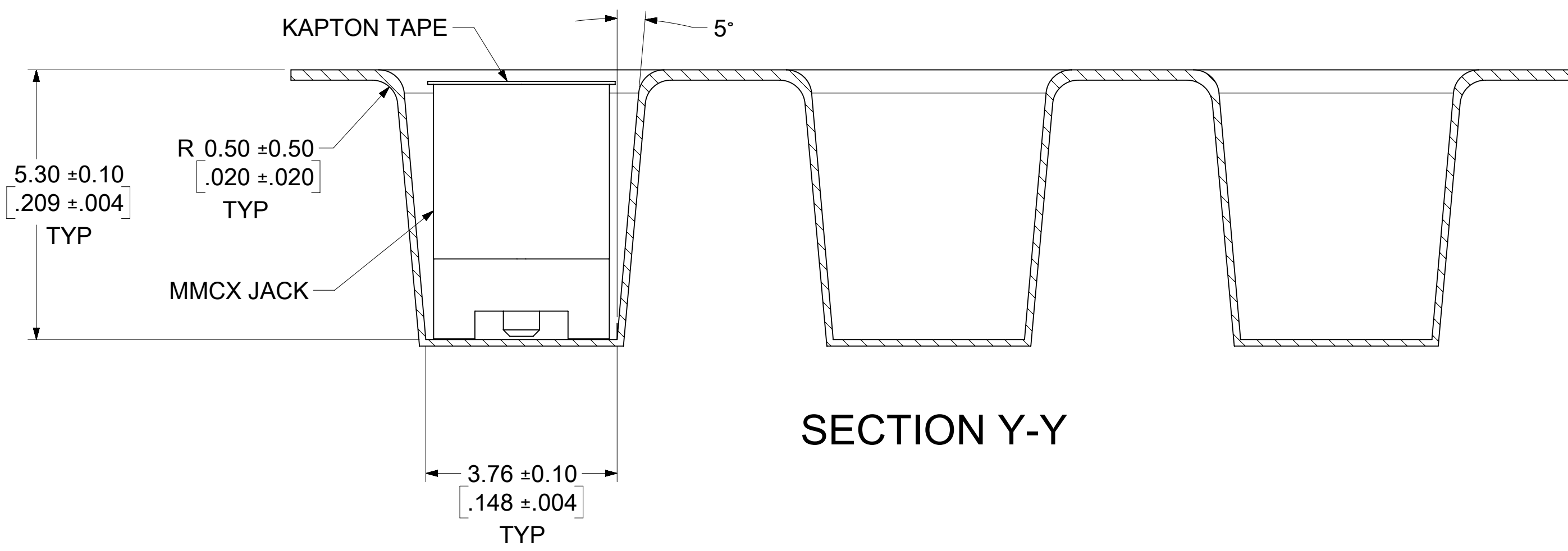
|            |  |
|------------|--|
| 73415-2065 | 73415-2061 WITH TAPE & REEL WITHOUT KAPTON |
| 73415-2064 | 73415-2061. ONE PER BAG                    |
| 73415-2063 | 73415-2061 WITH TAPE & REEL/KAPTON         |
| 73415-2062 | 73415-2060 WITH TAPE & REEL/KAPTON         |
| 73415-2061 | PER COMMERCIAL REQUIREMENTS, PACKING TRAY  |
| 73415-2060 | PER MILITARY REQUIREMENTS, PACKING TRAY    |
| PART NO.   | PLATING                                    |



|   |   |  |   |  |  |  |  |  |
|---|---|--|---|--|--|--|--|--|
| FUNCTIONAL SYMBOLS<br>FA = 0<br>EC = 0<br>EP = 0<br>DIVISIONAL SYMBOLS<br>4 PLACES ±<br>3 PLACES ±<br>2 PLACES ±<br>1 PLACE ±<br>0 PLACES ± | THIS DRAWING CONTAINS INFORMATION THAT IS PROPRIETARY TO MOLEX ELECTRONIC TECHNOLOGIES, LLC AND SHOULD NOT BE USED WITHOUT WRITTEN PERMISSION |  | SCALE<br>MM/INCH NTS  |  | CURRENT REV DESC: EWR # 15708-A : ADDED PACKAGING SPEC FOR -2060 & -2061 PART NO |  |  |  |
|   | GENERAL TOLERANCES (UNLESS SPECIFIED)<br>ANGULAR TOL ± 2.0°   |  | EC NO: 740907<br>DRWN: JSU18<br>CHK'D: YCHENG<br>APPR: YCHENG |  | 2023/03/02<br>2023/03/16<br>2023/03/16   |  |  |  |
|   | DRAFT WHERE APPLICABLE MUST REMAIN WITHIN DIMENSIONS  |  | THIRD ANGLE PROJECTION  |  | DRAWING SERIES<br>C-SIZE 73415   |  | PRODUCT CUSTOMER DRAWING                 |  |
|   | MATERIAL NUMBER<br>GENERAL MARKET   |  | CUSTOMER<br>1 OF 5  |  | DOCUMENT NUMBER<br>SD-73415-206  |  | DOC TYPE DOC PART REVISION<br>PSD 001 B2 |  |



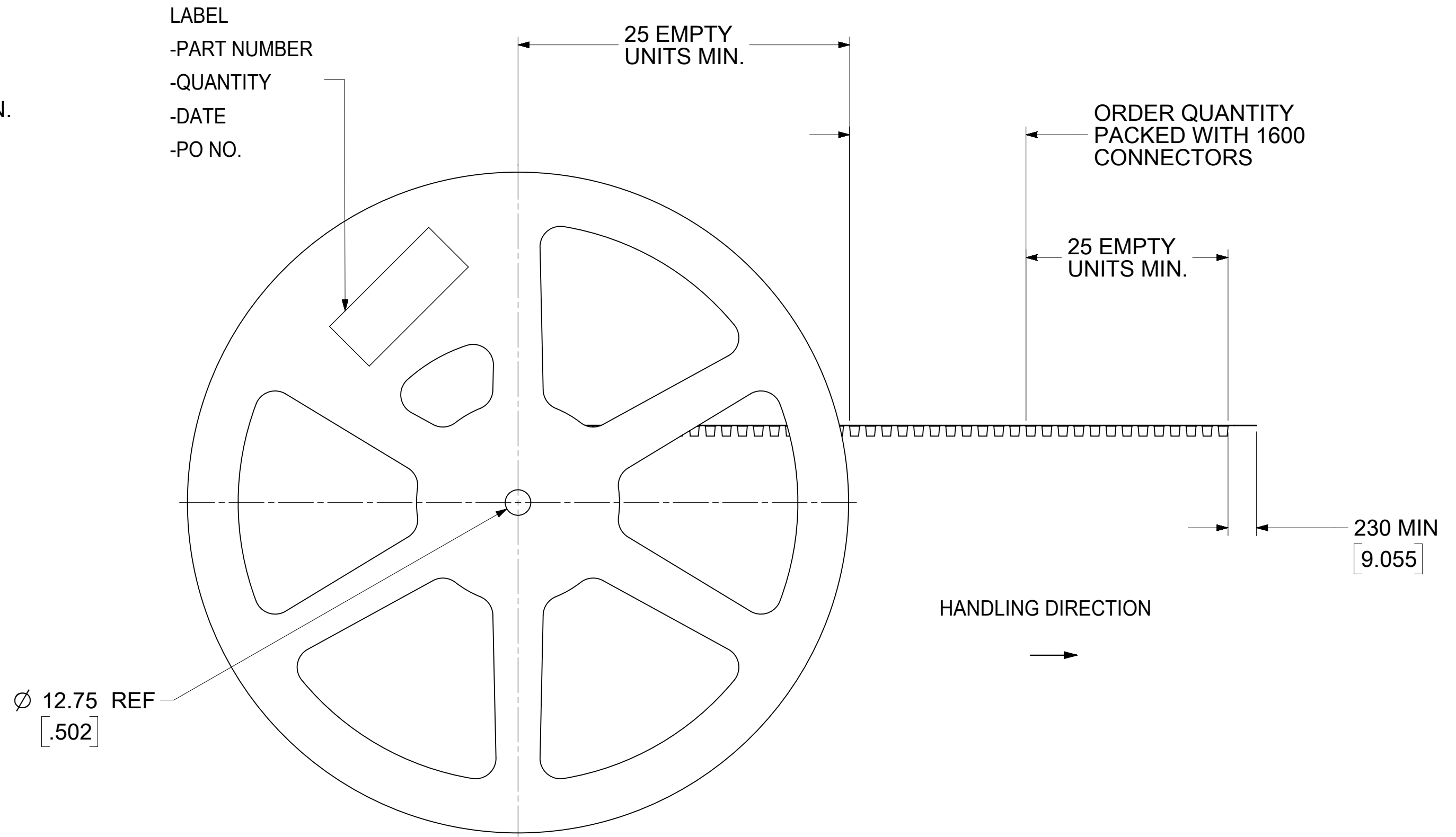
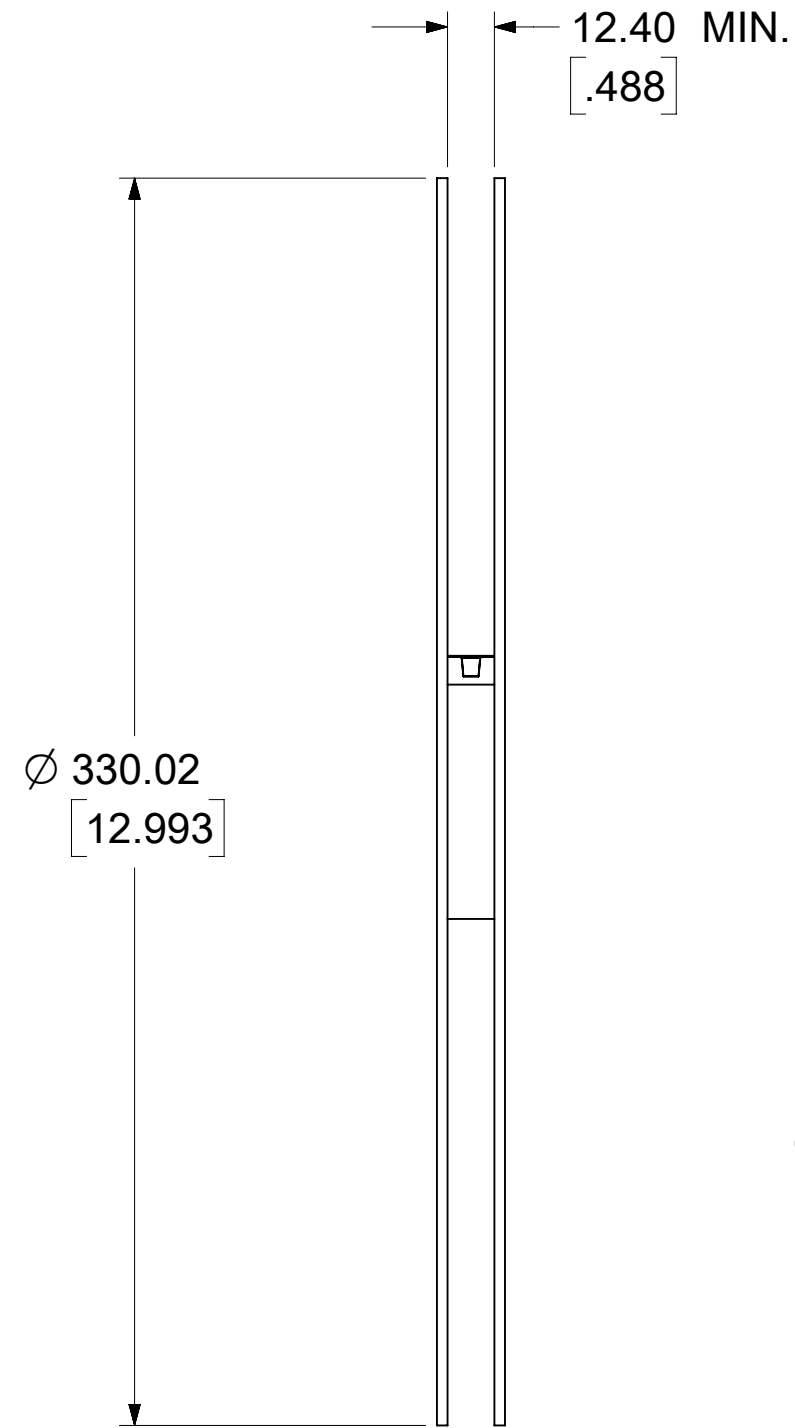
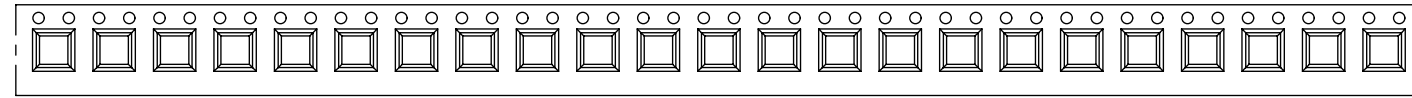
SECTION Z-Z



SECTION Y-Y

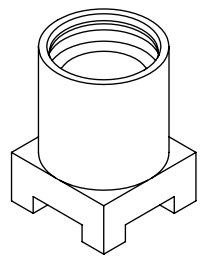
|   |   |                |  |                 |          |
|---|---|----------------|--|-----------------|----------|
| FUNCTIONAL SYMBOLS<br>$\frac{F}{A} = 0$<br>$\frac{F}{C} = 0$<br>$\frac{F}{P} = 0$                           | THIS DRAWING CONTAINS INFORMATION THAT IS PROPRIETARY TO MOLEX ELECTRONIC TECHNOLOGIES, LLC AND SHOULD NOT BE USED WITHOUT WRITTEN PERMISSION |                | CURRENT REV DESC: EWR # 15708-A : ADDED PACKAGING SPEC FOR -2060 & -2061 PART NO |                 |          |
|   | DIMENSION UNITS   | SCALE          | EC NO: 740907  |                 |          |
|   | MM/INCH   | NTS            | DRWN: JSU18  | 2023/03/02      |          |
|   | GENERAL TOLERANCES (UNLESS SPECIFIED)   |                | CHK'D: YCHENG  | 2023/03/16      |          |
| ANGULAR TOL $\pm 2.0^\circ$   |   | APPR: YCHENG   | 2023/03/16   |                 |          |
| DIVISIONAL SYMBOLS<br>4 PLACES $\pm$<br>3 PLACES $\pm$<br>2 PLACES $\pm$<br>1 PLACE $\pm$<br>0 PLACES $\pm$ | INITIAL REVISION:   |                | DRWN: TFLAHERTY  | 2006/02/09      |          |
|   | DRAFT WHERE APPLICABLE MUST REMAIN WITHIN DIMENSIONS  |                | APPR: JWIENER  | 2006/02/09      |          |
|   | THIRD ANGLE PROJECTION  | DRAWING        | SERIES   | DOCUMENT NUMBER |          |
|   |   | C-SIZE         | 73415  | SD-73415-206    |          |
| MATERIAL NUMBER   |   | CUSTOMER       | DOC TYPE   | DOC PART        | REVISION |
| GENERAL MARKET  |   | GENERAL MARKET | PSD  | 001             | B2       |
| SHEET NUMBER  |   | 2 OF 5         |  |                 |          |

NOTE:  
13" REEL SIZE FOR 1600 PIECES

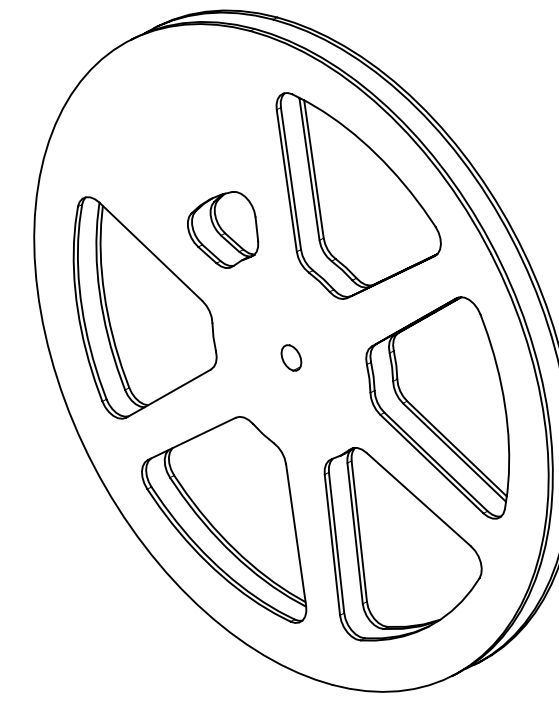
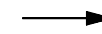
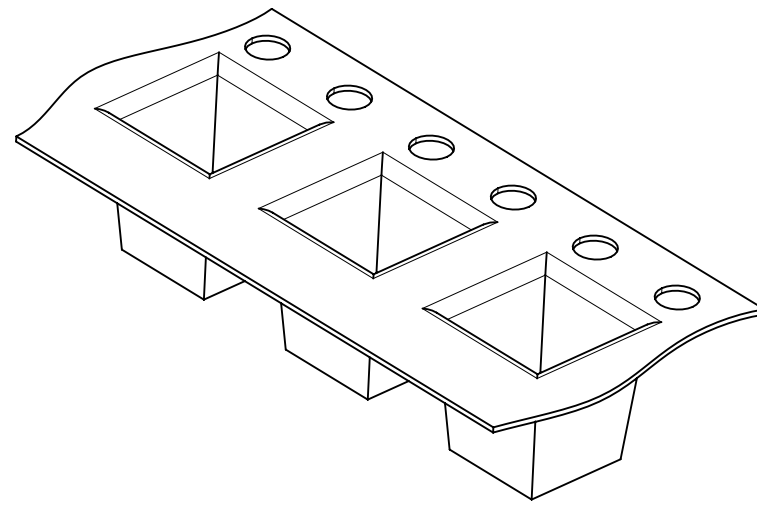
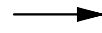


|   |  |         |  |   |                   |            |              |                                |              |            |
|---|--|---------|--|---|-------------------|------------|--------------|--------------------------------|--------------|------------|
| THIS DRAWING CONTAINS INFORMATION THAT IS PROPRIETARY TO MOLEX ELECTRONIC TECHNOLOGIES, LLC AND SHOULD NOT BE USED WITHOUT WRITTEN PERMISSION |  |         |  |   |                   |            |              |                                |              |            |
| FUNCTIONAL SYMBOLS  | DIMENSION UNITS                                      | SCALE   | CURRENT REV DESC: EWR # 15708-A : ADDED PACKAGING SPEC FOR -2060 & -2061 PART NO |   |                   |            |              |                                |              |            |
|   | $\frac{F}{A} = 0$                                    | MM/INCH | NTS  | <b>molex</b><br>MMCX JACK, VERTICAL<br>PCB/SMT 50 OHMS MMCX-J/PCB |                   |            |              |                                |              |            |
| $\frac{F}{C} = 0$   | GENERAL TOLERANCES (UNLESS SPECIFIED)                |         | EC NO: 740907  |   |                   |            |              |                                |              | 2023/03/02 |
| $\frac{F}{P} = 0$   | ANGULAR TOL $\pm 2.0^\circ$                          |         | 4 PLACES $\pm$   |   | DRWN: JSU18       | 2023/03/16 |              | PRODUCT CUSTOMER DRAWING       |              |            |
| DIVISIONAL SYMBOLS  | 3 PLACES $\pm$                                       |         | 2 PLACES $\pm$   |   | CHK'D: YCHENG     | 2023/03/16 |              | DOCUMENT NUMBER                |              |            |
|   | 1 PLACE $\pm$  |         | 0 PLACES $\pm$   |   | APPR: YCHENG      | 2023/03/16 |              | DOC TYPE   DOC PART   REVISION |              |            |
|   | DRAFT WHERE APPLICABLE MUST REMAIN WITHIN DIMENSIONS |         | THIRD ANGLE PROJECTION   |   | INITIAL REVISION: |            | SD-73415-206 |                                | PSD 001 B2   |            |
|   |  |         |  |   | DRWN: TFLAHERTY   | 2006/02/09 |              | MATERIAL NUMBER                |              |            |
|   |  |         |  | APPR: JWIENER   | 2006/02/09        |            | CUSTOMER     |                                | SHEET NUMBER |            |
|   |  |         |  | DRAWING   |                   | SERIES     |              | GENERAL MARKET                 |              | 3 OF 5     |
|   |  |         |  | C-SIZE  |                   | 73415      |              |                                |              |            |

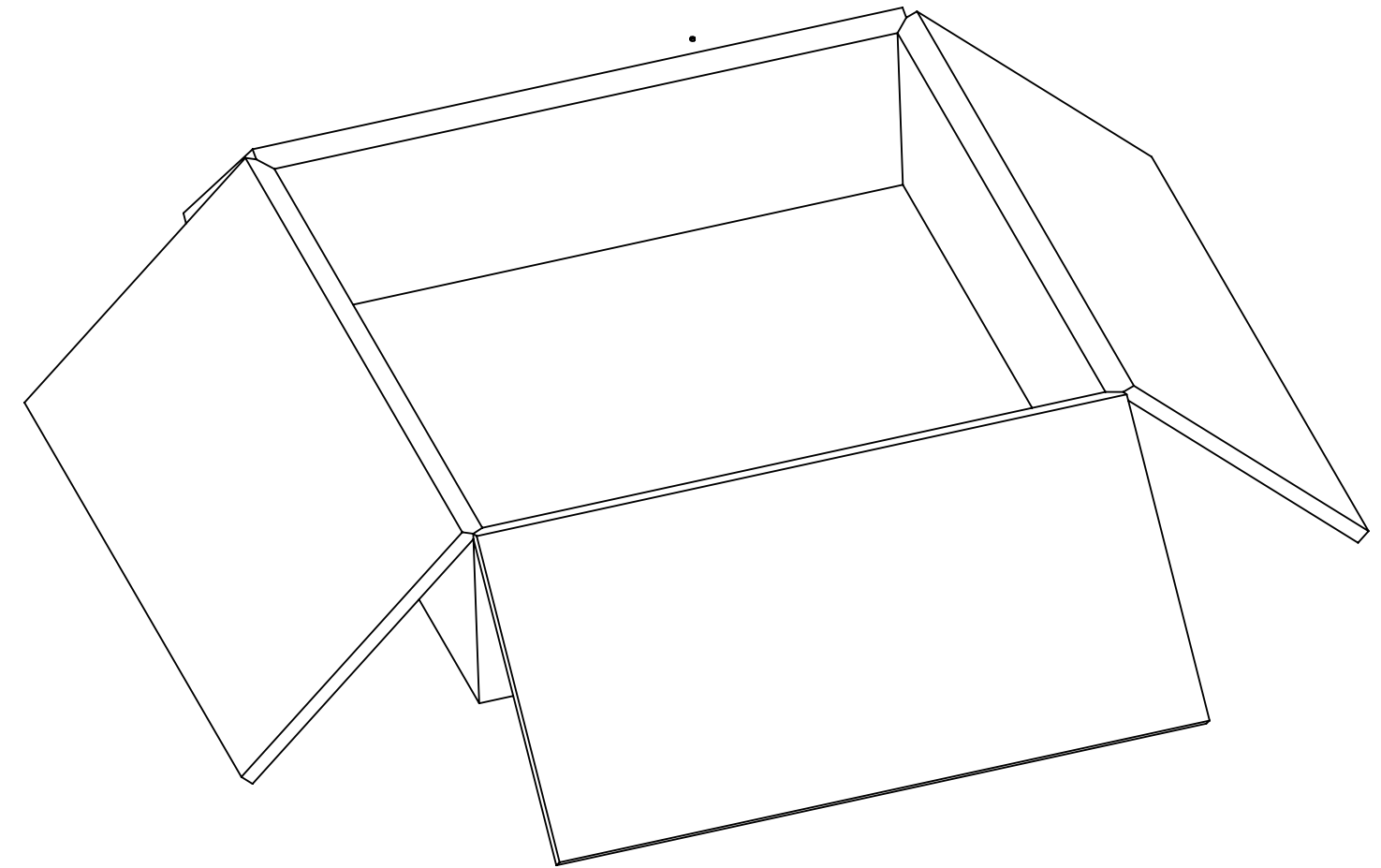
|                 |    |              |            |          |
|-----------------|----|--------------|------------|----------|
| DOCUMENT STATUS | P1 | RELEASE DATE | 2023/03/16 | 04:28:02 |
|-----------------|----|--------------|------------|----------|



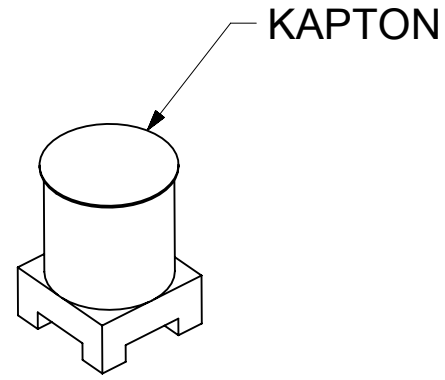
PART NO. 73415-2065



1600 SET PER 13" REEL



8000 CONNECTORS PER  
OUTER CARTON BOX  
339 X 339 X 100 REF.



KAPTON

PART NO 73415-2062  
PART NO 73415-2063

|   |                                       |       |  |         |        |              |  |  |  |
|---|---------------------------------------|-------|--|---------|--------|--------------|--|--|--|
| THIS DRAWING CONTAINS INFORMATION THAT IS PROPRIETARY TO MOLEX ELECTRONIC TECHNOLOGIES, LLC AND SHOULD NOT BE USED WITHOUT WRITTEN PERMISSION |                                       |       |  |         |        |              |  |  |  |
| FUNCTIONAL SYMBOLS  | DIMENSION UNITS                       | SCALE | CURRENT REV DESC: EWR # 15708-A : ADDED PACKAGING SPEC FOR -2060 & -2061 PART NO   |         |        |              |  |  |  |
| $\nabla_A = 0$  | MM/INCH                               | NTS   | <p>EC NO: 740907</p> <p>DRWN: JSU18 2023/03/02</p> <p>CHK'D: YCHENG 2023/03/16</p> <p>APPR: YCHENG 2023/03/16</p> <p>INITIAL REVISION:</p> <p>DRWN: TFLAHERTY 2006/02/09</p> <p>APPR: JWIENER 2006/02/09</p> |         |        |              |  |  |  |
| $\nabla_C = 0$  | GENERAL TOLERANCES (UNLESS SPECIFIED) |       |  |         |        |              |  |  |  |
| $\nabla_P = 0$  | ANGULAR TOL $\pm 2.0^\circ$           |       |  |         |        |              |  |  |  |
| DIVISIONAL SYMBOLS  | 4 PLACES $\pm$                        |       | <p>PRODUCT CUSTOMER DRAWING</p> <p>DOCUMENT NUMBER: SD-73415-206</p> <p>DOC TYPE: PSD</p> <p>DOC PART: 001</p> <p>REVISION: B2</p> <p>MATERIAL NUMBER: GENERAL MARKET</p> <p>SHEET NUMBER: 4 OF 5</p>        |         |        |              |  |  |  |
|   | 3 PLACES $\pm$                        |       |  |         |        |              |  |  |  |
|   | 2 PLACES $\pm$                        |       |  |         |        |              |  |  |  |
|   | 1 PLACE $\pm$                         |       |  |         |        |              |  |  |  |
|   | 0 PLACES $\pm$                        |       |  |         |        |              |  |  |  |
| DRAFT WHERE APPLICABLE MUST REMAIN WITHIN DIMENSIONS  |                                       |       | THIRD ANGLE PROJECTION   | DRAWING | SERIES | SHEET NUMBER |  |  |  |
|   |                                       |       |  | C-SIZE  | 73415  | 4 OF 5       |  |  |  |

**molex**

MMCX JACK, VERTICAL  
PCB/SMT 50 OHMS MMCX-J/PCB

PRODUCT CUSTOMER DRAWING

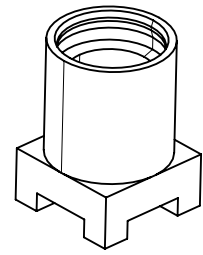
SD-73415-206

PSD 001 B2

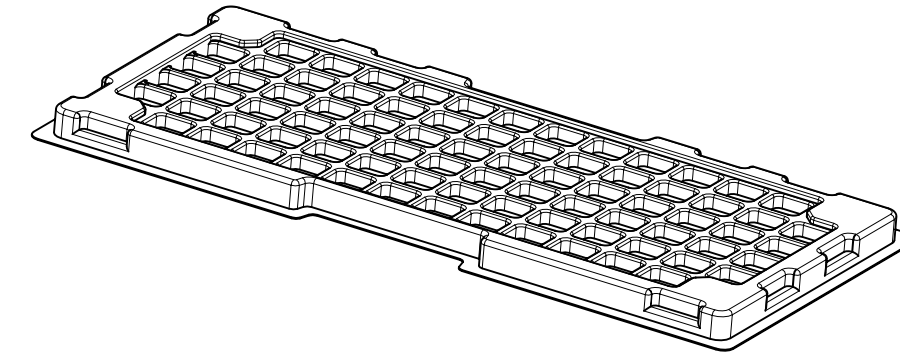
GENERAL MARKET

4 OF 5

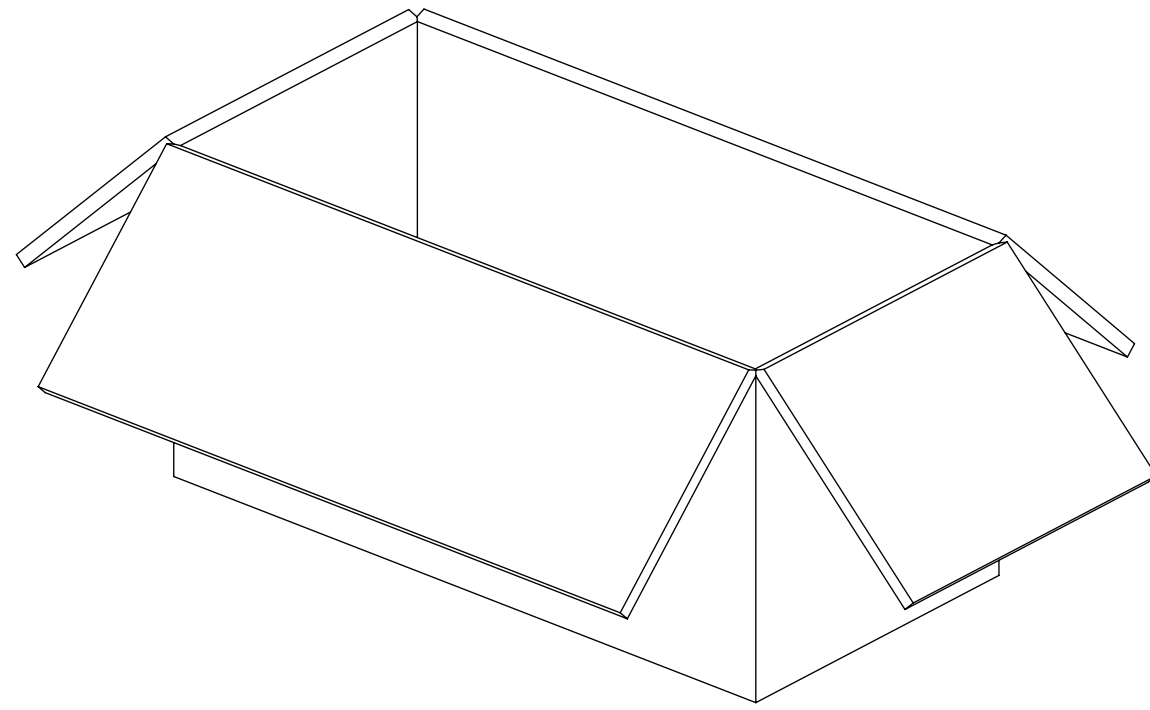
DOCUMENT STATUS P1 RELEASE DATE 2023/03/16 04:28:02



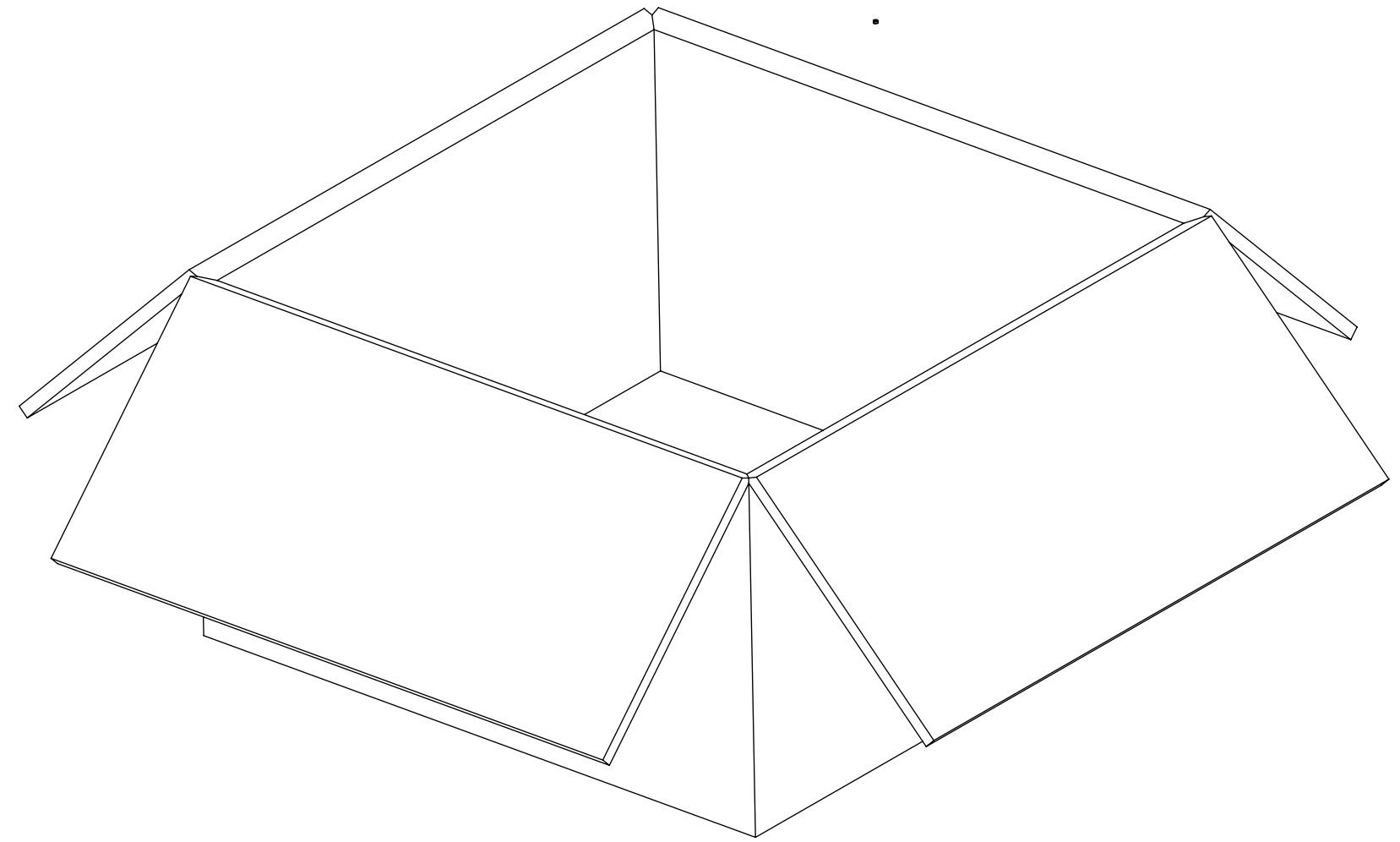
PART NO : 73415-2060  
PART NO : 73415-2061



80 SET PER TRAY  
P/N: 89707-0190



1600 SET PER INNER CARTON BOX  
P/N: 96707-0001



3200 SET PER OUTER CARTON BOX  
P/N: 96708-0005

|                    |   |          |  |          |               |  |  |            |                        |       |              |                |                 |        |          |  |              |  |
|--------------------|---|----------|--|----------|---------------|--|--|------------|------------------------|-------|--------------|----------------|-----------------|--------|----------|--|--------------|--|
| FUNCTIONAL SYMBOLS | THIS DRAWING CONTAINS INFORMATION THAT IS PROPRIETARY TO MOLEX ELECTRONIC TECHNOLOGIES, LLC AND SHOULD NOT BE USED WITHOUT WRITTEN PERMISSION |          |  |          |               |  |  |            |                        |       |              |                |                 |        |          |  |              |  |
|                    | DIMENSION UNITS   | SCALE    | CURRENT REV DESC: EWR # 15708-A : ADDED PACKAGING SPEC FOR -2060 & -2061 PART NO |          |               |  |  |            |                        |       | <b>molex</b> |                |                 |        |          |  |              |  |
| $\frac{F}{A} = 0$  | MM/INCH   | NTS      | GENERAL TOLERANCES (UNLESS SPECIFIED)  |          | EC NO: 740907 |  |  | 2023/03/02 |                        |       |              |                |                 |        |          |  |              |  |
| $\frac{F}{C} = 0$  |   |          | ANGULAR TOL $\pm 2.0^\circ$  |          |               | DRWN: JSU18  |  |            | 2023/03/16             |       |              |                |                 |        |          |  |              |  |
| $\frac{F}{P} = 0$  |   |          | 4 PLACES $\pm$   |          |               | CHK'D: YCHENG  |  |            | 2023/03/16             |       |              |                |                 |        |          |  |              |  |
| DIVISIONAL SYMBOLS |   |          | 3 PLACES $\pm$   |          |               | APPR: YCHENG   |  |            | INITIAL REVISION:      |       |              |                |                 |        |          |  |              |  |
|                    |   |          | 2 PLACES $\pm$   |          |               | DRWN: TFLAHERTY                                      |  |            | 2006/02/09             |       |              |                |                 |        |          |  |              |  |
|                    |   |          | 1 PLACE $\pm$  |          |               | APPR: JWIENER  |  |            | 2006/02/09             |       |              |                |                 |        |          |  |              |  |
|                    |   |          | 0 PLACES $\pm$   |          |               | DRAFT WHERE APPLICABLE MUST REMAIN WITHIN DIMENSIONS |  |            | THIRD ANGLE PROJECTION |       |              |                |                 |        |          |  |              |  |
| DOCUMENT NUMBER    |   | DOC TYPE |  | DOC PART |               | REVISION   |  | DRAWING    |                        |       | SERIES       |                | MATERIAL NUMBER |        | CUSTOMER |  | SHEET NUMBER |  |
| SD-73415-206       |   | PSD      |  | 001      |               | B2   |  | C-SIZE     |                        | 73415 |              | GENERAL MARKET |                 | 5 OF 5 |          |  |              |  |

|                 |    |              |            |          |
|-----------------|----|--------------|------------|----------|
| DOCUMENT STATUS | P1 | RELEASE DATE | 2023/03/16 | 04:28:02 |
|-----------------|----|--------------|------------|----------|