

3-1827159-8 ✓ ACTIVE

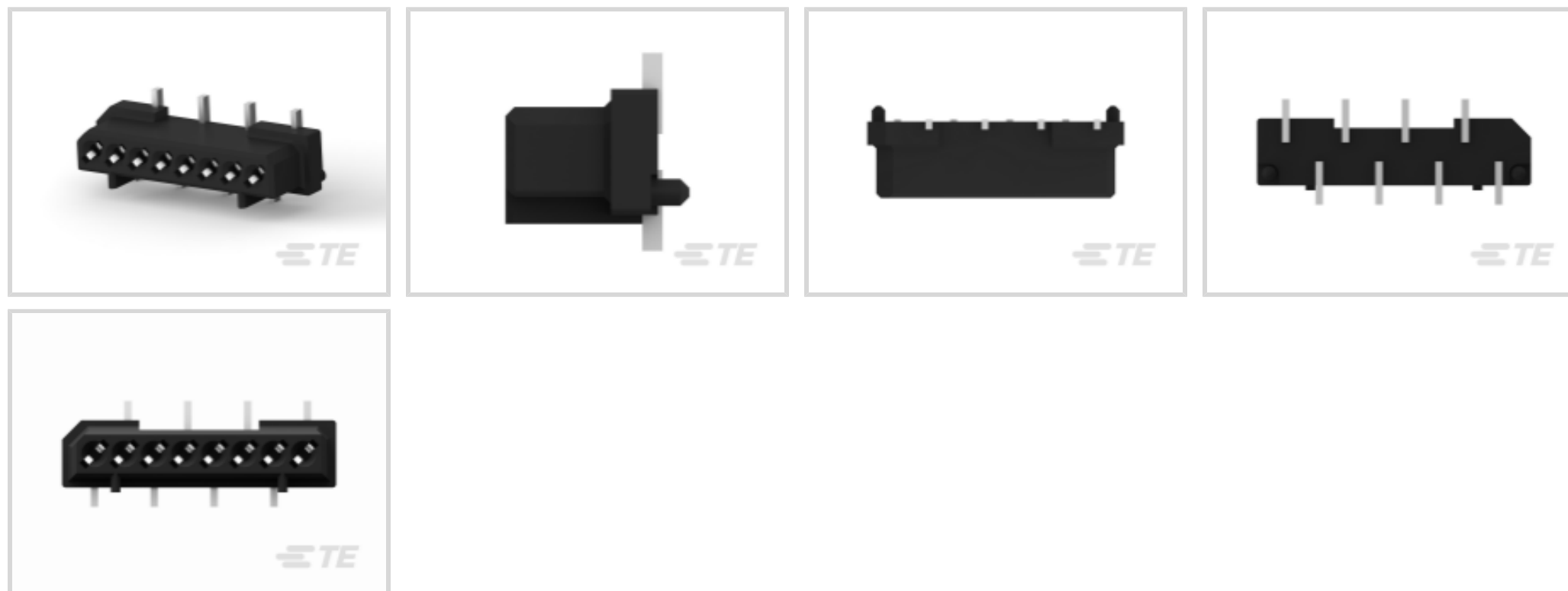
TE Internal #: 3-1827159-8

PCB Mount Receptacle, Vertical, Board-to-Board, 8 Position, 1.25 mm [.049 in] Centerline, Tin (Sn), Surface Mount, Signal, Black, Tape & Reel

[View on TE.com >](#)



Connectors > PCB Connectors > PCB Headers & Receptacles



PCB Connector Type: **PCB Mount Receptacle**

Connector System: **Board-to-Board**

Number of Positions: **8**

Number of Rows: **1**

Centerline (Pitch): **1.25 mm [.049 in]**

## Features

### Product Type Features

PCB Connector Type	PCB Mount Receptacle
Connector System	Board-to-Board
Sealable	No
Connector & Contact Terminates To	Printed Circuit Board
Connector Product Type	Connector Assembly

### Configuration Features

Stackable	Yes
Number of Positions	8
Number of Rows	1
PCB Mount Orientation	Vertical
Board-to-Board Configuration	Parallel

### Electrical Characteristics

Operating Voltage	50 VAC
Insulation Resistance	1 MΩ



Dielectric Withstanding Voltage (Max)	500 VAC
---------------------------------------	---------

### Body Features

Primary Product Color	Black
-----------------------	-------

### Contact Features

Mating Pin Diameter	.5 mm [.019 in]
---------------------	-----------------

PCB Contact Termination Area Plating Material Thickness	.8 $\mu$ m [31.5 $\mu$ in]
---	----------------------------

Contact Layout	Inline
----------------	--------

Contact Base Material	Phosphor Bronze
-----------------------	-----------------

PCB Contact Termination Area Plating Material	Tin
---	-----

Contact Mating Area Plating Material Thickness	.8 $\mu$ m [31.5 $\mu$ in]
--	----------------------------

Contact Mating Area Plating Material	Tin (Sn)
--------------------------------------	----------

Contact Type	Socket
--------------	--------

Contact Current Rating (Max)	.5 A
------------------------------	------

### Termination Features

Rectangular Termination Post & Tail Width	1.8 mm [.07 in]
---	-----------------

Rectangular Termination Post & Tail Thickness	.3 mm [.011 in]
---	-----------------

Termination Method to PCB	Surface Mount
---------------------------	---------------

### Mechanical Attachment

PCB Mount Alignment Type	Locating Posts
--------------------------	----------------

Mating Alignment Type	Polarization
-----------------------	--------------

Connector Mounting Type	Board Mount
-------------------------	-------------

Mating Alignment	With
------------------	------

PCB Mount Alignment	With
---------------------	------

PCB Mount Retention	Without
---------------------	---------

### Housing Features

Mating Entry Location	Top
-----------------------	-----

Centerline (Pitch)	1.25 mm [.049 in]
--------------------	-------------------

Housing Material	Polyphenylene Sulfide (PPS)
------------------	-----------------------------

### Dimensions

Stack Height	5 mm, 6.5 mm, 7 mm, 10.5 mm [.197 in][.256 in][.276 in][.413 in]
--------------	--

### Usage Conditions



Housing Temperature Rating	High
----------------------------	------

Operating Temperature Range	-30 – 105 °C[-22 – 221 °F]
-----------------------------	----------------------------

### Operation/Application

Assembly Process Feature	Pick and Place Cover
--------------------------	----------------------

Circuit Application	Signal
---------------------	--------

### Industry Standards

UL Flammability Rating	UL 94V-0
------------------------	----------

### Packaging Features

Packaging Quantity	1000
--------------------	------

Packaging Method	Tape & Reel
------------------	-------------

## Product Compliance

[For compliance documentation, visit the product page on TE.com>](#)

EU RoHS Directive 2011/65/EU	Compliant
------------------------------	-----------

EU ELV Directive 2000/53/EC	Compliant
-----------------------------	-----------

China RoHS 2 Directive MIIT Order No 32, 2016	有害物质含量符合标准要求 No Restricted Substance(s) Above Threshold
---	---

EU REACH Regulation (EC) No. 1907/2006	Current ECHA Candidate List: JUNE 2025 (250) Candidate List Declared Against: JUNE 2025 (250) Does not contain REACH SVHC
--	---

Halogen Content	BFR/CFR/PVC Free, but Br/Cl >900 ppm in other sources.
-----------------	--

Solder Process Capability	Reflow solder capable to 245°C
---------------------------	--------------------------------

#### Product Compliance Disclaimer

This information is provided based on reasonable inquiry of our suppliers and represents our current actual knowledge based on the information they provided. This information is subject to change. The part numbers that TE has identified as EU RoHS compliant have a maximum concentration of 0.1% by weight in homogenous materials for lead, hexavalent chromium, mercury, PBB, PBDE, DBP, BBP, DEHP, DIBP, and 0.01% for cadmium, or qualify for an exemption to these limits as defined in the Annexes of Directive 2011/65/EU (RoHS2). Finished electrical and electronic equipment products will be CE marked as required by Directive 2011/65/EU. Components may not be CE marked. Additionally, the part numbers that TE has identified as EU ELV compliant have a maximum concentration of 0.1% by weight in homogenous materials for lead, hexavalent chromium, and mercury, and 0.01% for cadmium, or qualify for an exemption to these limits as defined in the Annexes of Directive 2000/53/EC (ELV). Regarding the REACH Regulation, the information TE provides on SVHC in articles for this part number is based on the latest European Chemicals Agency (ECHA) 'Guidance on requirements for substances in articles' posted at this URL: <https://echa.europa.eu/guidance-documents/guidance-on-reach>

## Compatible Parts



TE Part # 1-720999-4  
EMBOSS TAPE 16W-1580 HOLE

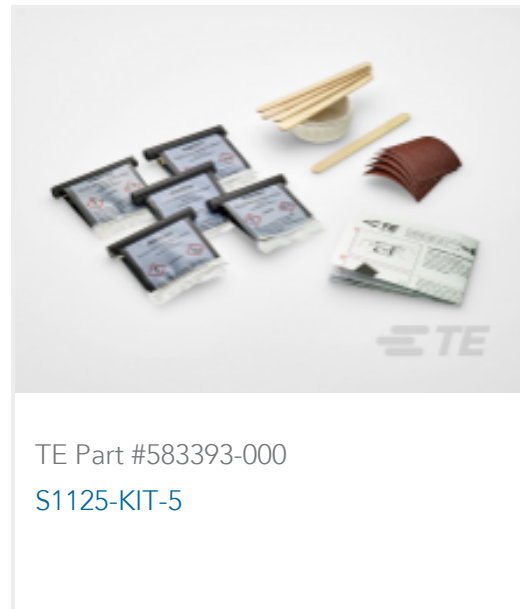


TE Part # 6-720999-3  
COVER TAPE 12W FOR 1.25 FP

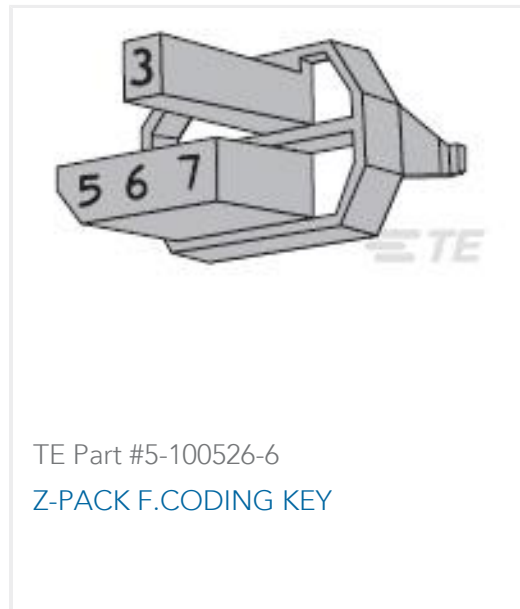
### Customers Also Bought



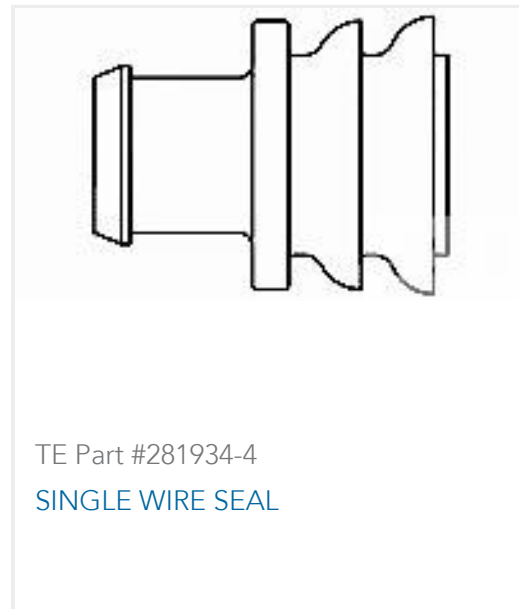
TE Part #0460-202-1631  
PIN, SOLID, SIZE 16, 16-20AWG, AU



TE Part #583393-000  
S1125-KIT-5



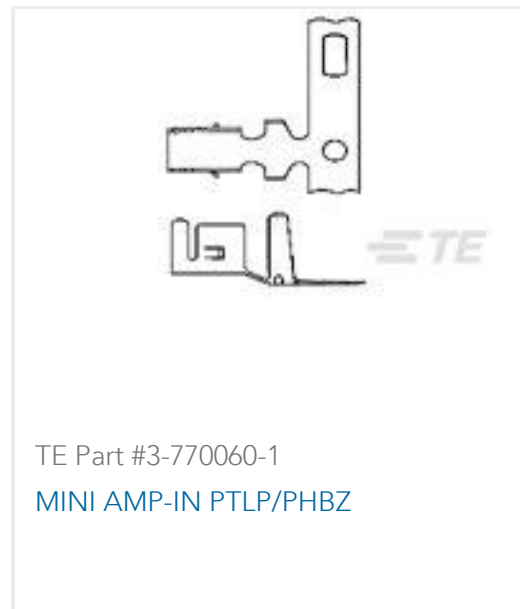
TE Part #5-100526-6  
Z-PACK F.CODING KEY



TE Part #281934-4  
SINGLE WIRE SEAL



TE Part #292171-3  
CT POST HDR ASSY 3P IN-TUBE BL



TE Part #3-770060-1  
MINI AMP-IN PTLP/PHBZ



TE Part #776524-1  
AS16,PLUG ASSY,ST,04P,E SEAL,  
CODE A



TE Part #1622297-1  
LR1 1% 100R



TE Part #6-1676966-5  
SMW2 47R 5%



TE Part #3-1827158-8  
1.25FP,P08,SL,B,C,TR,5.00,5.80

### Documents

#### Product Drawings

[1.25FP,R08,SL,B,C,TR](#)

[Japanese](#)

#### CAD Files

[3D PDF](#)

[3D](#)

#### Customer View Model

[ENG\\_CVM\\_CVM\\_3-1827159-8\\_O.2d\\_dxf.zip](#)



English

**Customer View Model**

[ENG\\_CVM\\_CVM\\_3-1827159-8\\_O.3d\\_igs.zip](#)

English

**Customer View Model**

[ENG\\_CVM\\_CVM\\_3-1827159-8\\_O.3d\\_stp.zip](#)

English

By downloading the CAD file I accept and agree to the [Terms and Conditions](#) of use.

### Product Specifications

**AMP 1.25mm F-P Connector (Board To Board)**

Japanese

[Product Specification](#)

Japanese